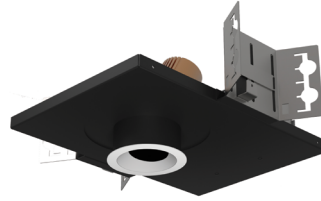


2" acrobat LED Adjustable Accent

Non-IC New Construction Housing

Round or Square / Trimmed or Trimless



Wattage	CCT	Delivered Lumens	Efficacy
10W	3000K	795lm	79lpw
15W	3000K	1184lm	79lpw
20W	3000K	1406lm	70lpw

Lumens will vary depending on CCT & optic

Description

- Acrobat adjustable accent delivers over 1400lm through a 2" aperture with four optical distributions. Adjustable mechanism allows for precise aiming up to 35° tilt and 360° rotation. Delivered lumens are maintained in different ceiling thicknesses.
- No ceiling access required except for certain specified driver configurations.

Field Replaceable LED Light Engine

- 10W, 15W or 20W LED with 2 SDCM binning
- 2700K, 3000K, 3500K or 4000K at 90 CRI
- Field replaceable optics available in spot, narrow flood, flood or wide flood
- 50,000 hours at 70% lumen maintenance (L70)

Field Replaceable Dimming Driver

- Power factor > 0.9, 50/60Hz
- Multiple dimming drivers available
- Complies with IEEEC62.41 surge protection

Adjustability

Locking 360° horizontal rotation and 35° tilt
(Note: 2" ceiling thickness limits mechanism to 25° tilt)

Housing

Non-IC rated housing must be kept a minimum of 3" from insulation. 18 gauge galvanized steel housing and junction box with 1/2" trade size knockouts. Includes universal butterfly brackets to accommodate C-Channel, adjustable bar hangers, and EMT. C-Channel is recommended for T-bar ceilings and must be ordered separately. Adjustable wood joist bar hangers are included. Max. ambient temperature: 104°F (40°C)

Ceiling Thickness

- Accommodates ceiling thickness from 1/2" to 1-1/2" (Extended 2" collar available, must specify)
- Delivered lumens are maintained through entire range

Trim Style

- Round spun aluminum cut angle trim with frosted lens in anodized finishes available, consult factory for custom finishes
- Square die-cast aluminum cut angle trim with frosted lens in powder coat finishes available, consult factory for custom finishes
- Trimless mud plate and wood ceiling option available

Emergency

Remote inverter operates for 90 minutes with remote test switch available, requires above ceiling access.

Listing/Warranty

- Patent pending
- Five (5) year limited warranty
- UL listed to US and Canadian standards for wet locations



Housing Order Matrix (Example: A2-NC20S-R00-LCB-24)

Type	Wattage	Driver	Aperture	Trim Style	Rev	Extended Collar	Hanger Bar
A2-NC (Non-IC)	10 (10W)	S^{2,3} (ERP, Universal Dim, Triac/ELV/0-10V 1% 120-277V)	-R (Round) -S (Square)	(blank) (Flanged)	00	(blank) (Standard 1-1/2") -2 (Up to 2")	(blank) (Standard)
	15 (15W)	L3¹ (Lutron Hi-lume® Fade-to-Black 1% 120-277V)		TL (Trimless)			-LCB-24 (24" C-Channel)
	20 (20W)	EL1¹ (eldoLED DALI 1% 120-277V)		WC (Wood Ceiling)			-LCB-48 (48" C-Channel)
		EL2¹ (eldoLED 0-10V 1% 120-277V)					
		DMX¹ (DMX 1% 120-277V)					
		SR1³ (Remote ERP, Universal Dim, Triac/ELV/0-10V 1% 120-277V)					

1. Above ceiling access requires
2. Accessible from below ceiling
3. Forward and reverse phase dimming at 120V only

Trim Order Matrix (Example: A2-4RWH-WH2730-NL-00)

Trim	Aperture	Reflector Finish	Flange Finish	CCT / CRI	Optic	Rev
A2-4	R (Round) S (Square)	WH (White)	(blank) (Trimless / Wood Ceiling)	27 (2700K / 90 CRI)	10 (Spot)	-00
		CA² (Clear Alzak)	-WH (White)	30 (3000K / 90 CRI)	30 (Narrow Flood)	
		BL (Black)	-BL (Black)	35 (3500K / 90 CRI)	50 (Flood)	
		SA (Satin Aluminum)	-SA (Satin Aluminum)	40 (4000K / 90 CRI)	80 (Wide Flood)	
		BZ (Bronze)	-BZ (Bronze)			

2. Available in round aperture only

Optics

A2-10-OPTIC (10° Spot)
A2-30-OPTIC (30° Narrow Flood)
A2-50-OPTIC (50° Flood)
A2-80-OPTIC (80° Wide Flood)

Emergency

EM-1000 (25W LED Remote Inverter)
EM-1002 (10W LED Remote Emergency Driver)
EM-1003 (35W LED Remote Inverter)
EM-1004 (50W LED Remote Inverter)

2" acrobat LED Adjustable Accent

Non-IC New Construction Housing

Round or Square / Trimmed or Trimless

Catalog #:

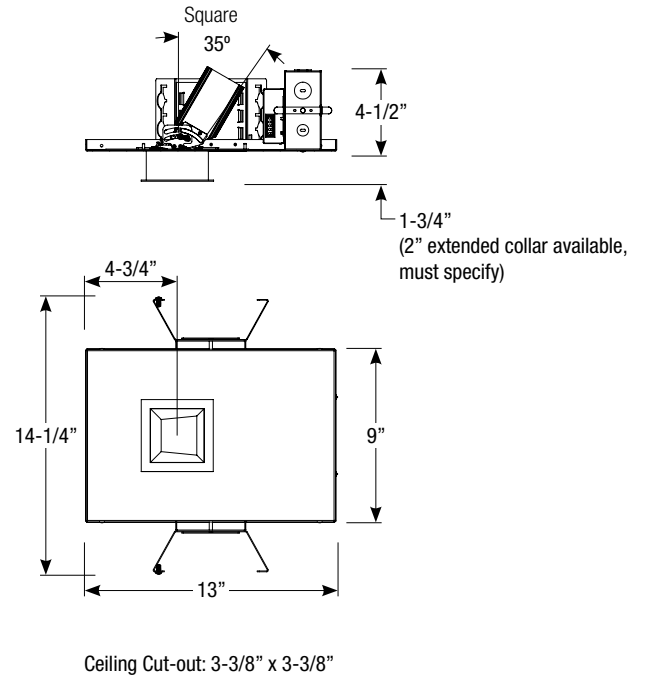
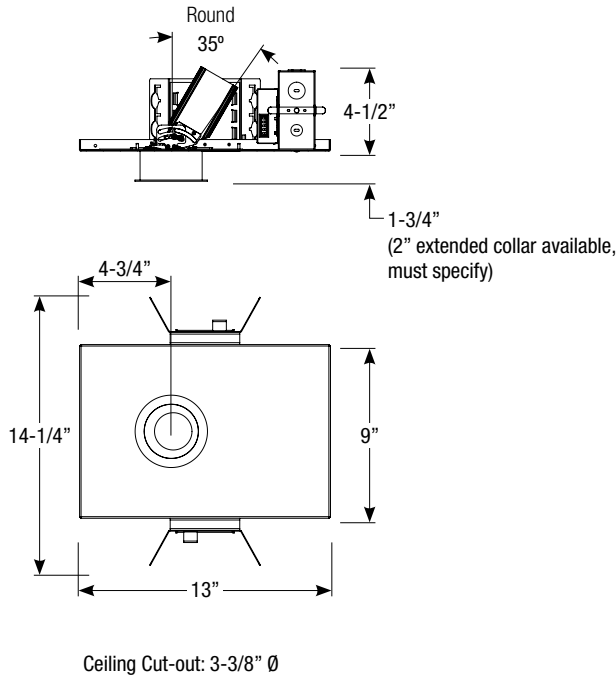
Type:

Project:

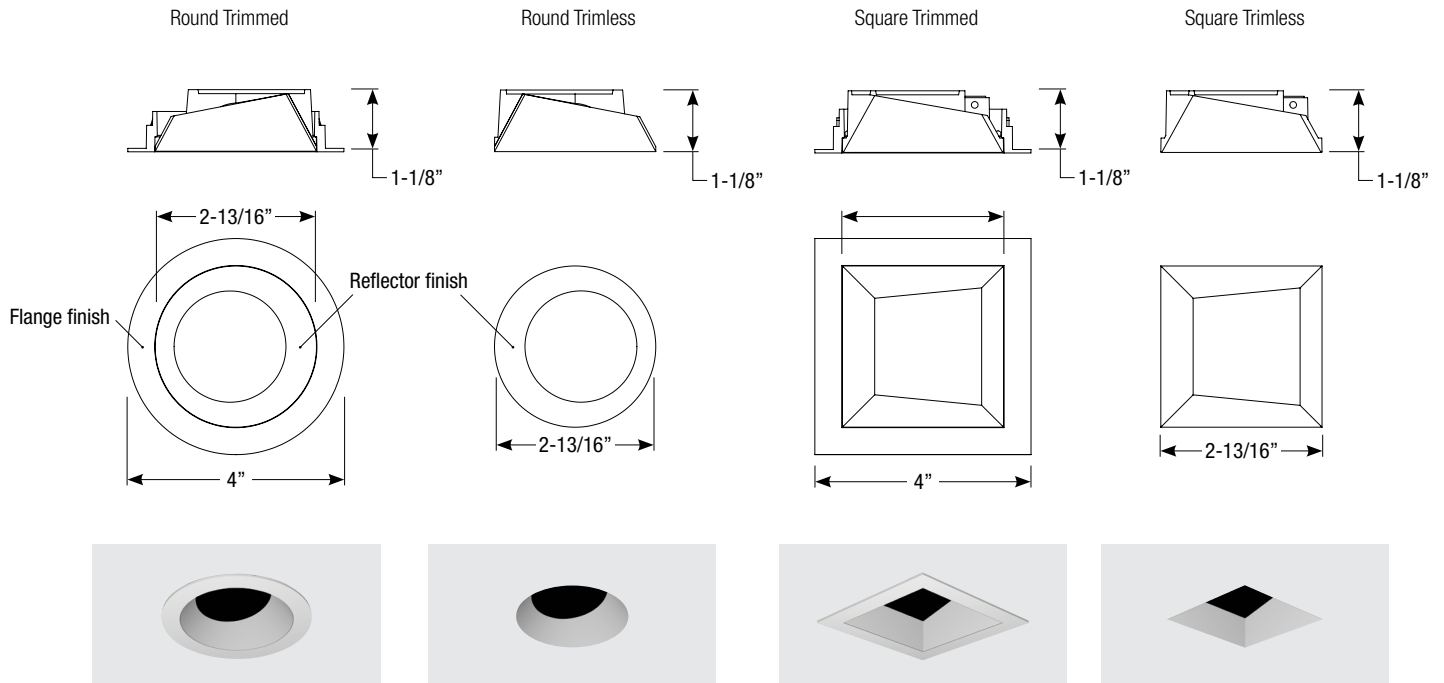
Date:

Notes:

Housing Dimensions



Trim Dimensions



Spec-00079 Revised 10/24/2022